



# Solar Solve Marine

## Installation Instructions

and

## Spare Parts List

for

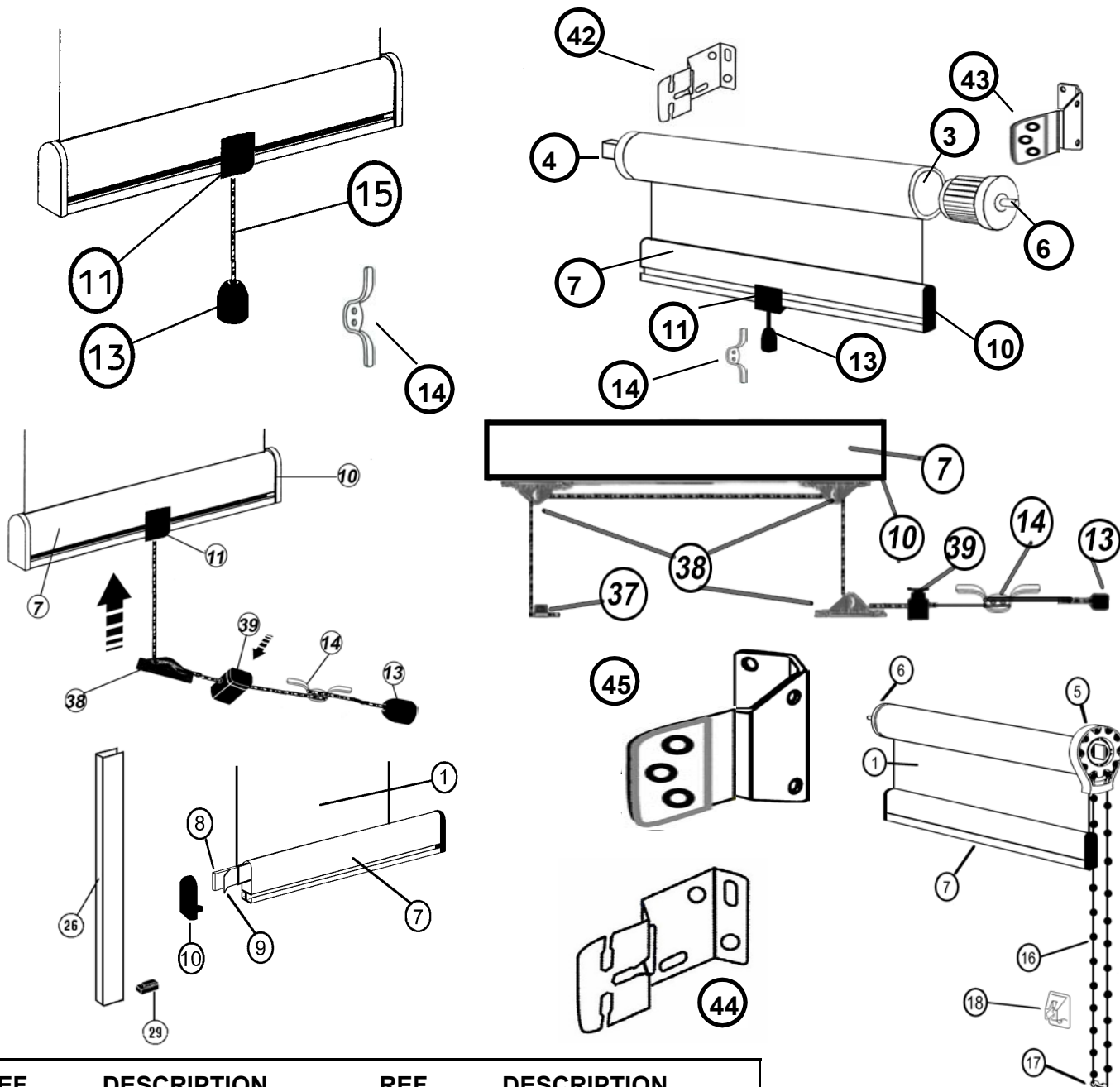
## NON - CASSETTE Mounted SOLASOLV<sup>®</sup> Sunscreens

and

## ROLASOLV<sup>®</sup> Fabric Roller Blinds

## SOLAROLA<sup>®</sup>

## DIMMLITE<sup>®</sup>



REF	DESCRIPTION	REF	DESCRIPTION
1	Film / Fabric	18	Chain Holder
3	Roll Tube	26	Outer Side Channel
4	Spring Mechanism	29	Bottom Block
5	Side Chain Clutch Mech.	37	Stainless Steel Cord Clamp
6	Roll Tube End Pin	38	Stainless Steel Guide Pulley
7	Bottom Rail	39	Auto Cordlock Pushbutton
8	A1. Retaining Strip	40	NON-Cassette Cable Support Kit
9	DS Adhesive Tape	42	Spring Uni-fix Bracket
10	Bottom Rail End Cap	43	Pin End Uni-fix Bracket
11	Pull Cord Holder	44	Clutch Uni-fix Bracket
13	Acorn	45	Pin End Uni-fix Bracket
14	Stainless Steel Cleat		
15	Pull Cord		
16	Bead Operating Chain		
17	Chain Connector		

**SPARE PARTS LIST FOR  
NON CASSETTE  
ROLLER SCREENS / BLINDS**

**Care and Maintenance OF Films & Fabrics**  
Under normal circumstances dusting with a **NON-ABRASIVE** dry duster is all that is required. Finger prints, grease and most stubborn marks on film, blackout and lyverscreen fabrics can be carefully removed with white spirit and a soft cloth, followed by a further wiping over with a soft non-abrasive cloth dipped in clean soapy water. If they become very dirty they can be carefully wiped over with a soft non-abrasive cloth and clean water with a little soap or detergent. Allow to dry completely. Excess water should be removed as it will leave a water mark when dry. Polyester fabrics can be dusted with a dry, lint free cloth. Do not clean polyester fabrics.

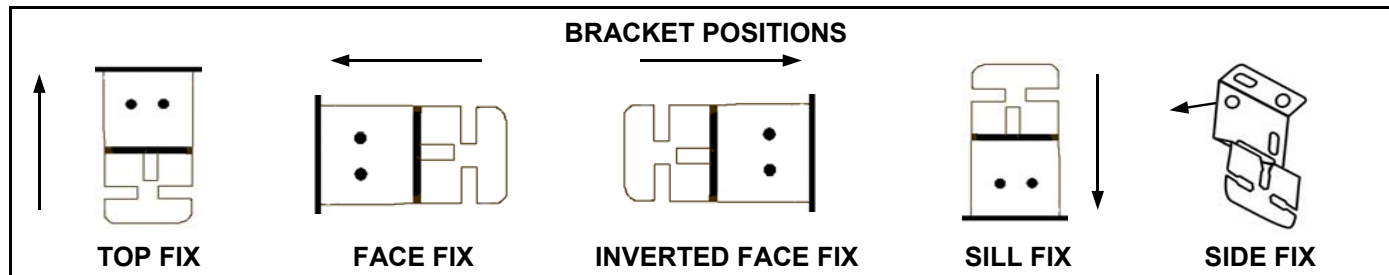
**Hints on Operating Self Locking Rollers**  
The operation of this type of roller screen requires a precise technique. The mechanism works on the principle that when the roller screen is pulled down it will lock at a certain point if held there for a second or two. To release the lock it is necessary to pull the screen down quickly then release whilst still holding onto the pull cord. This will ensure that the roller screen will not roll up too quickly, otherwise the bottom rail may jam behind the roller or even jump out of the brackets and become badly damaged. This jerking action requires a little practice but once achieved it will ensure smooth operation of the product. **WARNING: NEVER OIL OR GREASE SELF LOCKING SPRING ROLLER MECHANISMS**

We reserve the right to make any modifications necessary to ensure products comply with a customers requirements. **The drawings in this document are for illustration purposes only and are NOT TO SCALE.**

**IMPORTANT NOTE FOR FITTER:-  
PLEASE LEAVE THIS INSTRUCTION SHEET  
WITH THE ROLLER SCREEN / BLIND FOR  
CUSTOMER REFERENCE**

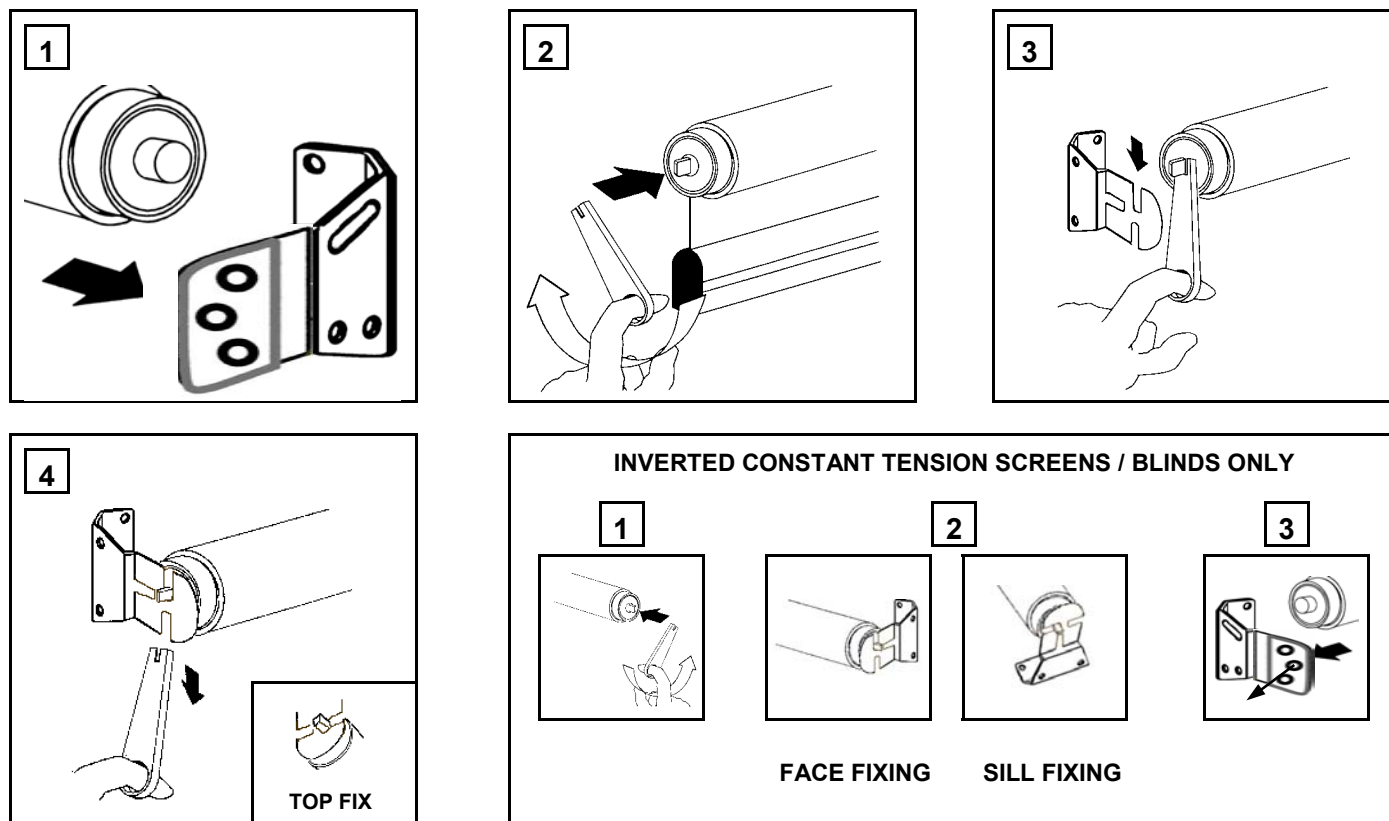
## FITTING INSTRUCTIONS FOR INSTALLING ALL TYPES OF NON-CASSETTE MOUNTED BLINDS AND SCREENS

Decide EXACTLY where the screen / blind is to be fitted ensuring that:-  
 \* The screen / blind will not interfere with window stays or any other obstructions, when operated.  
 \* The screen / blind is absolutely level.  
 \* The brackets are fixed securely (the distance between the brackets will vary depending on the size of the screens).

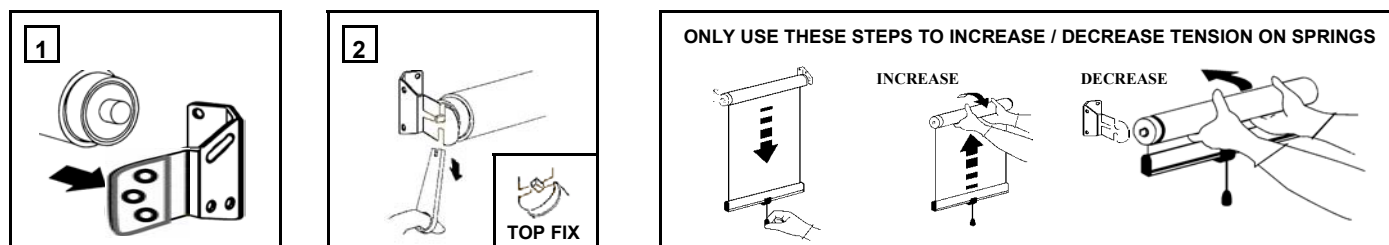


**PLEASE NOTE: - ALWAYS USE THE GLOVES PROVIDED WHEN HANDLING FILM**

### INSTALLATION INSTRUCTIONS FOR SCREENS / BLINDS WITH CONSTANT TENSION SPRINGS

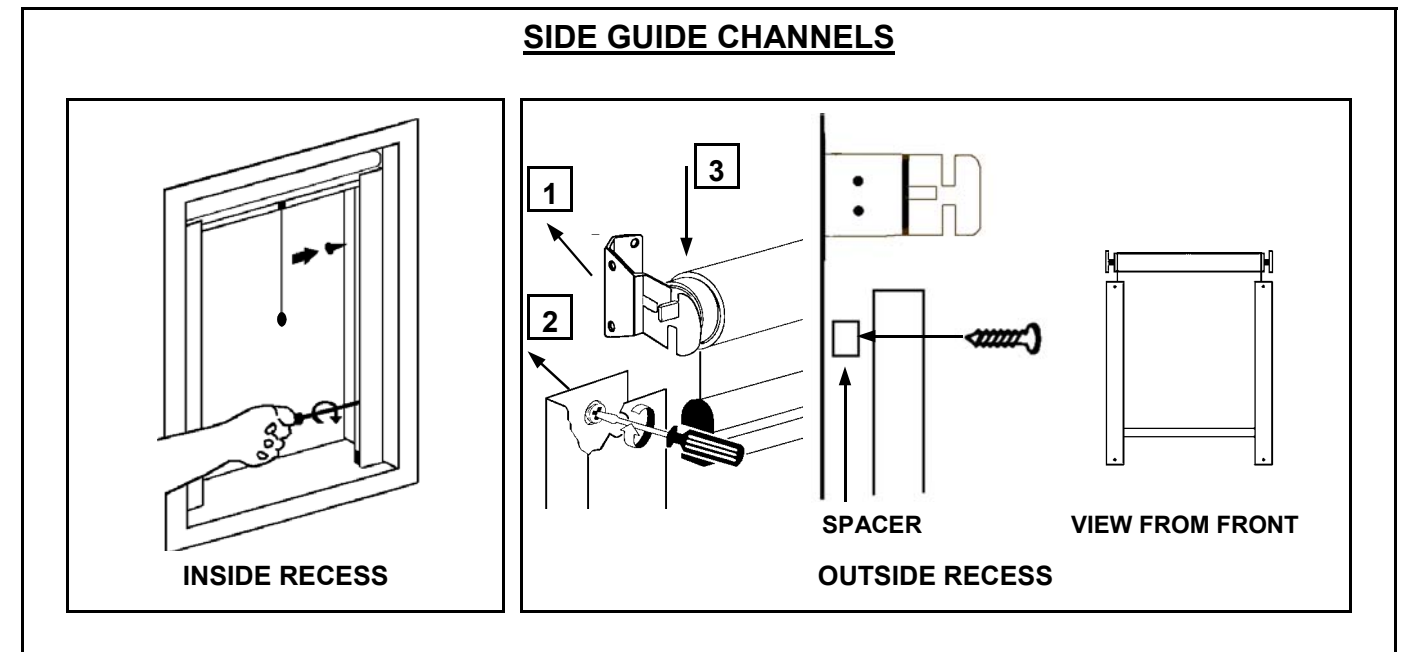
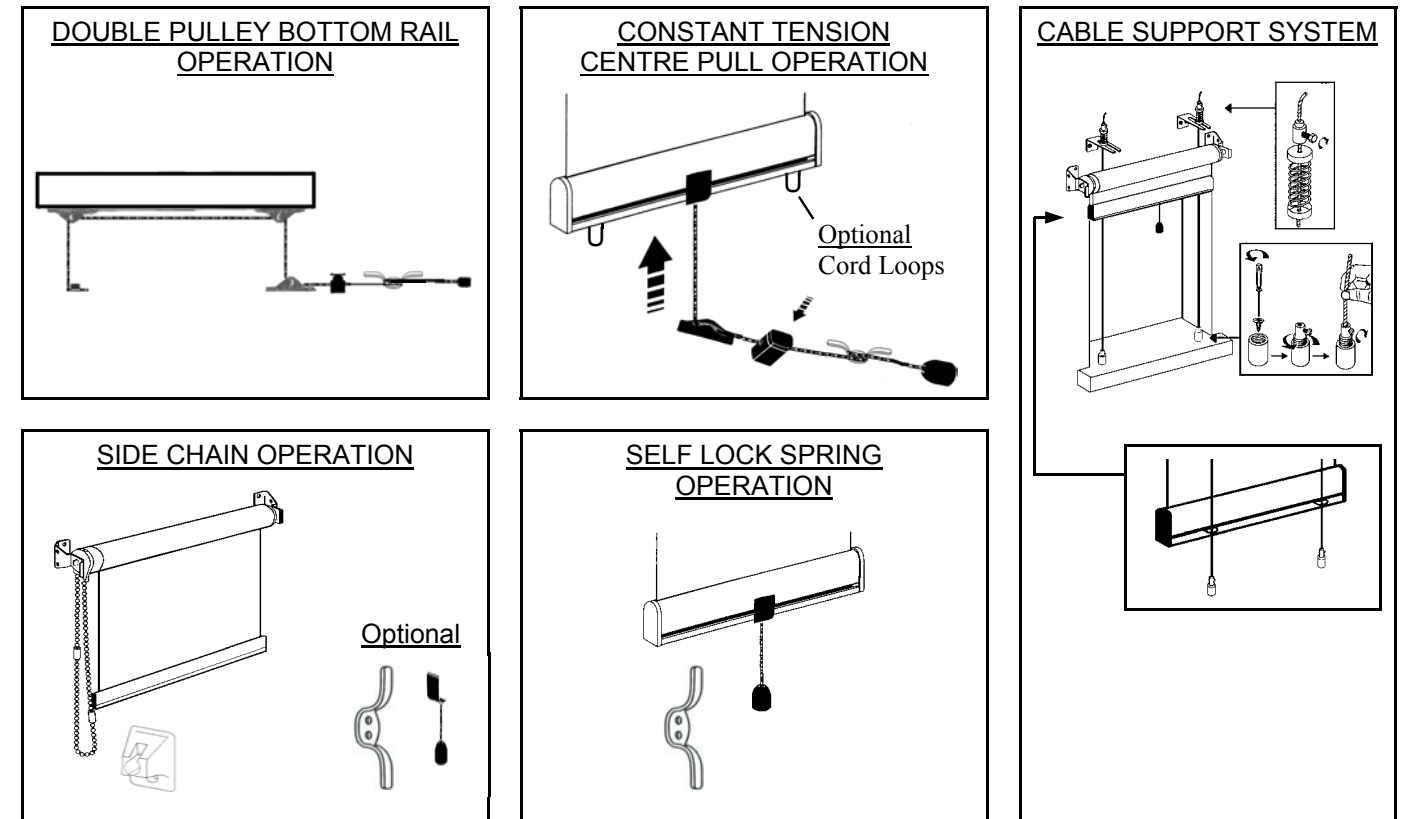


### INSTALLATION INSTRUCTIONS FOR SCREENS / BLINDS WITH SELF LOCK SPRINGS



**NOTE:- SELF LOCK SPRINGS CANNOT BE INSTALLED INVERTED**

## METHODS OF OPERATION AND SUPPORT MECHANISMS



**ALWAYS USE THE GLOVES PROVIDED WHEN HANDLING FILM**