



SOLAROLA®

Anti-glare Sunscreens for Navigation Bridge Windows

SOLAROLA® anti-glare sunscreens are a **cost effective alternative** to SOLASAFE® sunscreens. They still offer the same great benefits as SOLASAFE® sunscreens but do not have the protective aluminium cassette and 'wipe clean' brush system. **SOLAROLA®** sunscreens are guaranteed for 1-year and come complete with aluminium bottom rail and optional side channels or guide cables.

Benefits of SOLAROLA® sunscreens include:

- **Improved visibility and safety** – glare is reduced by up to 93% to ensure clear visibility and safer navigation. True colour rendition is maintained so navigation marks and objects are easily identified.
- **Reduced eye strain** – the problem of glare and reflection on electronic charts is eliminated. Low sun and its reflection on water and ice can be hazardous and uncomfortable.
- **Creates a more comfortable environment** – keeps crew alert and maintains work rate by rejecting up to 87%* of the sun's heat.
- **Protects exposed areas of the body** – at least 97% of harmful UV light is filtered.
*(maximum benefit can only be achieved by installing SOLAROLA screens at all windows)



Other features of SOLAROLA® sunscreens:

- **Guaranteed unconditionally for 1-year**
- **Easy to install, simple to operate**
- **Choice of operating systems and film colours**
- **Made to measure**
- **Only sunscreens in the world to be type approved by Lloyds, DNV-GL and ABS**



Suitability:



Solar Solve Marine recommend anti-glare screens for all parts of the world in all seasons; glare can be a problem in any environment. Military, commercially or privately owned, SOLAROLA® sunscreens are suitable for almost all sea-going vessels.

For more information please contact our Customer Services Department on:

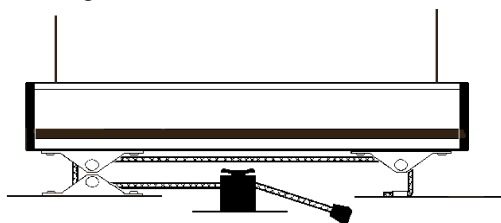
Tel: +44 191 4548595
Fax: +44 191 4548692

Email: Info@solasolv.com
Visit: www.solasolv.com

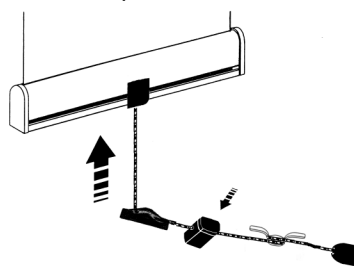
SOLAR SOLVE MARINE
The ORIGINAL manufacturer of sunscreens for ships

Types of Operation

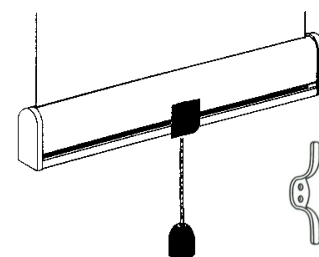
There are several types of operation available for SOLAROLA® roller blinds, the most common being shown below. Please contact our Technical Department for additional information.



**DOUBLE PULLEY BOTTOM RAIL
CONSTANT TENSION SPRING.**
IDEAL FOR SLOPING WINDOWS.

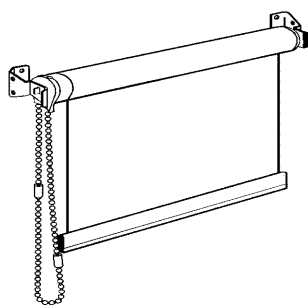


CONSTANT TENSION SPRING-

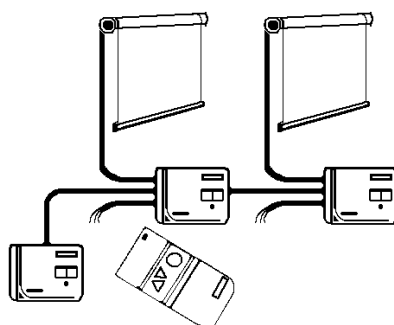


SELF LOCK SPRING.

ALL SPRING OPERATED BLINDS / SCREENS ARE SUPPLIED WITH A CORD CLEAT



**LEFT OR RIGHT HAND
SIDE CHAIN CLUTCH**



ELECTRIC BY REMOTE CONTROL, GROUP CONTROL AND / OR LOCAL INDIVIDUAL CONTROL - IDEAL FOR BLINDS THAT ARE DIFFICULT TO ACCESS.

LOW VOLTAGE (LoVo—24V D.C.) IS AVAILABLE FOR SMALLER SIZED ROLLER BLINDS. HIGH VOLTAGE (HiVo—230V A.C., 50HZ OR 60HZ) IS AVAILABLE OVER THE FULL RANGE OF ROLLER BLIND SIZES.

CONTACT THE TECHNICAL DEPARTMENT FOR MORE DETAILS.

<u>Choice of Films</u>	Gold	Silver	Grey	Bronze	
<p>Because of their highly reflective outer surfaces GOLD and SILVER are the most effective solar films. If a reflective appearance is not desired we recommend GREY film as the next best option.</p>	% Glare reduction-Anti glare effect	93	92	91	84
	% Total solar energy (Heat) rejected	87	77	65	67
	% Ultra violet light rejected	99	97	98	98
	% Total solar transmission	9	7	23	27
	% Total solar reflection	57	63	19	19
	% Total solar absorption	34	27	58	54
	% Visible light transmission	7	7	8	15
	% Shading coefficient	0.2	0.19	0.45	0.48

HOW TO MEASURE

Full instructions are available on www.solasolv.com
Or from our Technical Services staff



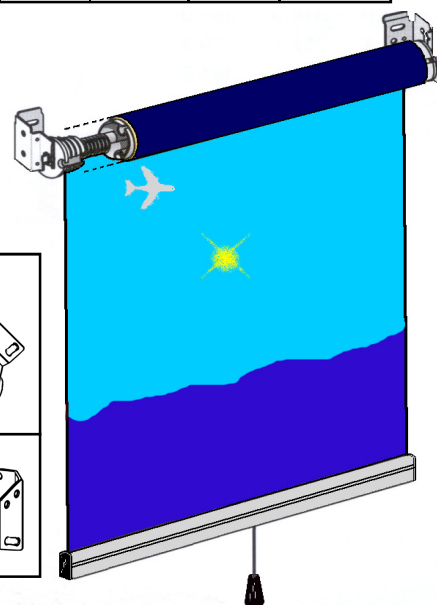
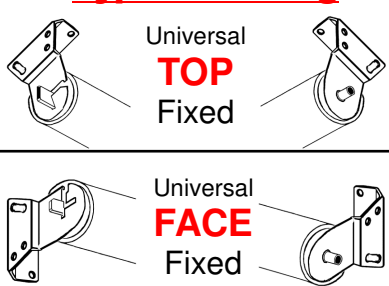
Max and Min Dimensions

Maximum and minimum dimensions will vary depending on the type of operation and are shown below in mm.

Type of Oper'n	Max Width	Max Drop	Min Width	Min Drop
ConsTen Spring	3500	3500	450	250
Sidechain Clutch	3500	3500	350	250
LoVo Electric	2000	1500	400	250
HiVo Electric	3500	3500	600	250

Screens in excess of 1800mm in both Width and Drop will require a 12mm Horizontal Join to be placed in the

Types of Fixing



Technical Services:- If you require any advice or assistance with measuring, installation, wiring or operation of a roller blind or screen then please contact us. More detailed technical information sheets are available on request

Customer Services:- If you require general information, advice or assistance with placing orders or requesting quotations then please contact us. Quotation and Order forms can be immediately forwarded on request.

